



Electrolux

Libero Line Series Induction, single zone

ITEM # _____

MODEL # _____

NAME # _____

SIS # _____

AIA # _____



Electrolux



Libero Line Series
Induction, single zone

601638 (DZH1)

Induction, single zone -
230V/1/50-60

Short Form Specification

Item No. _____

Unit to be Electrolux Libero Line Induction cook top, single zone model. Electric characteristics to be __230V single phase. Heavy duty AISI 304 stainless steel construction with sealed glass-ceramic cooking surface. Easy to clean surfaces with rounded edges, flush fit between units. Two independent induction cooking zones with touch button controls and digital power level display, with automatic pan detection to improve energy efficiency.

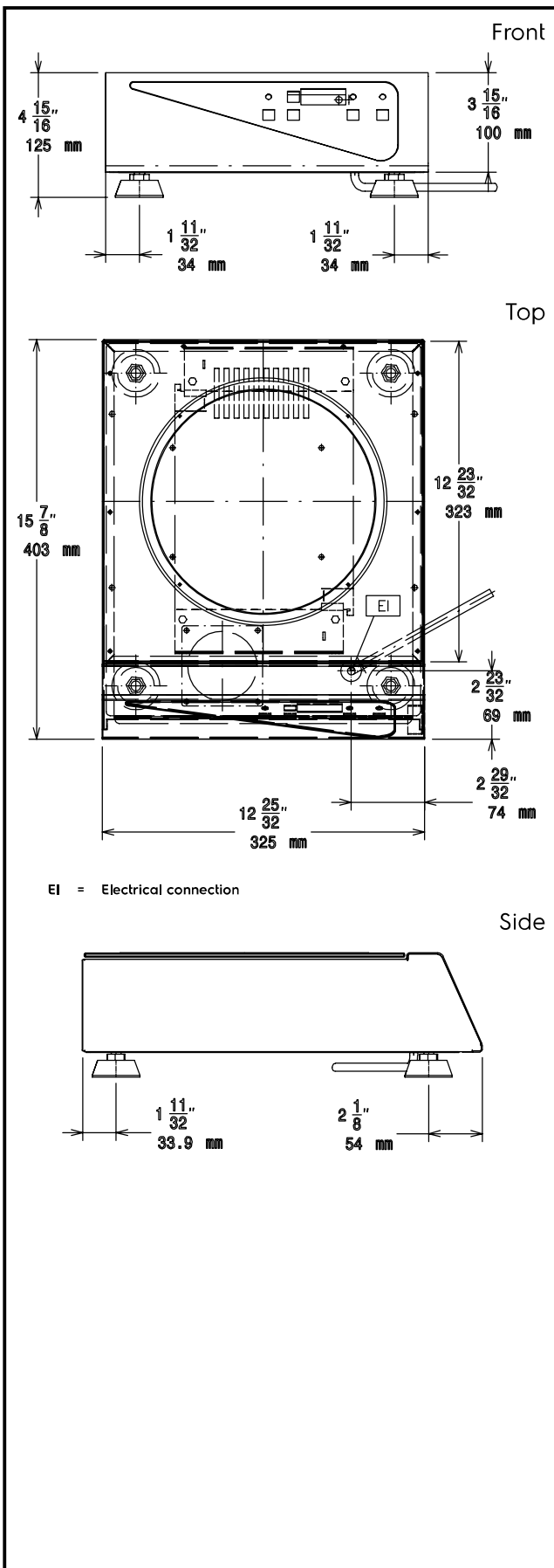
Main Features

- Table top design, single zone model.
- Heavy duty AISI 304 Stainless steel construction.
- Sealed heavy duty glass-ceramic cooking surface, 4 mm in thickness.
- Digital power level display (from 1 to 12).
- Automatic pan detection to transfer power only when pan is present.
- Rapid heat transfer directly to the pan, no heat is dispersed into the environment.
- IP24 protected.
- Cord and plug included.
- 4 adjustable feet.
- Suitable for pot and pan with diameter of 140-250mm.

Optional Accessories

- Stainless steel universal frying pan with stainless steel handle (diam. 200mm) suitable for induction and all other heating sources PNC 653596
- Universal frying pan with stainless steel handle (diam. 240mm) suitable for induction and all other heating sources PNC 653597
- Universal frying pan with stainless steel handle (diam. 280mm) suitable for induction and all other heating sources PNC 653598
- Universal frying pan with smooth plate suitable for induction cookers PNC 653617
- Universal frying pan with ribbed plate suitable for induction cookers PNC 653618

APPROVAL: _____


Electric

Supply voltage:
601638 (DZH1) 230 V/1N ph/50/60 Hz
Minimum supply AMP: 13A

Key Information:

Back Plates Power: 3 - kW
External dimensions, Height: 135 mm
External dimensions, Width: 325 mm
External dimensions, Depth: 400 mm
Net weight: 10 kg
Plug Type: 1phase: Schuko; 3phase: CEE