



Electrolux

Modular Cooking Range Line
Gas Stockpot Stove on Stand with
1 Burner and Thermocouple Valve

ITEM # _____

MODEL # _____

NAME # _____

SIS # _____

AIA # _____



Electrolux



Modular Cooking Range Line

Gas Stockpot Stove on Stand with 1
Burner and Thermocouple Valve

254106 (FPG1D)

Gas stockpot stove on stand
with 1 burner (11,5 kW) and
thermocouple valve

Short Form Specification

Item No. _____

Constructed in stainless steel. Pan support in enamelled cast iron, shaped to allow pans with a diameter of 600 mm to be used without affecting the combustion. Removable enamelled steel drip tray. Cast iron burner with adjustable gas tap made from pressed brass with a low control setting. Thermocouple valve. Height adjustable stainless steel feet.

Main Features

- Height adjustable stainless steel feet.
- Complies with main international certification bodies and is CE marked.
- Removable enamelled steel drip tray.
- Adjustable gas tap made from pressed brass with a low control setting.
- Particular shape of the pan support allows pans with a diameter of 600 mm to be used without affecting the combustion.

Construction

- Cast iron burners able to function with any type of gas.
- Electric models provide a high capacity with its cast iron 400 mm diameter hot plate and seven position switch heating control.
- Constructed in satin finished stainless steel with enamelled cast iron pan support to guarantee maximum strength and reliability.

APPROVAL: _____

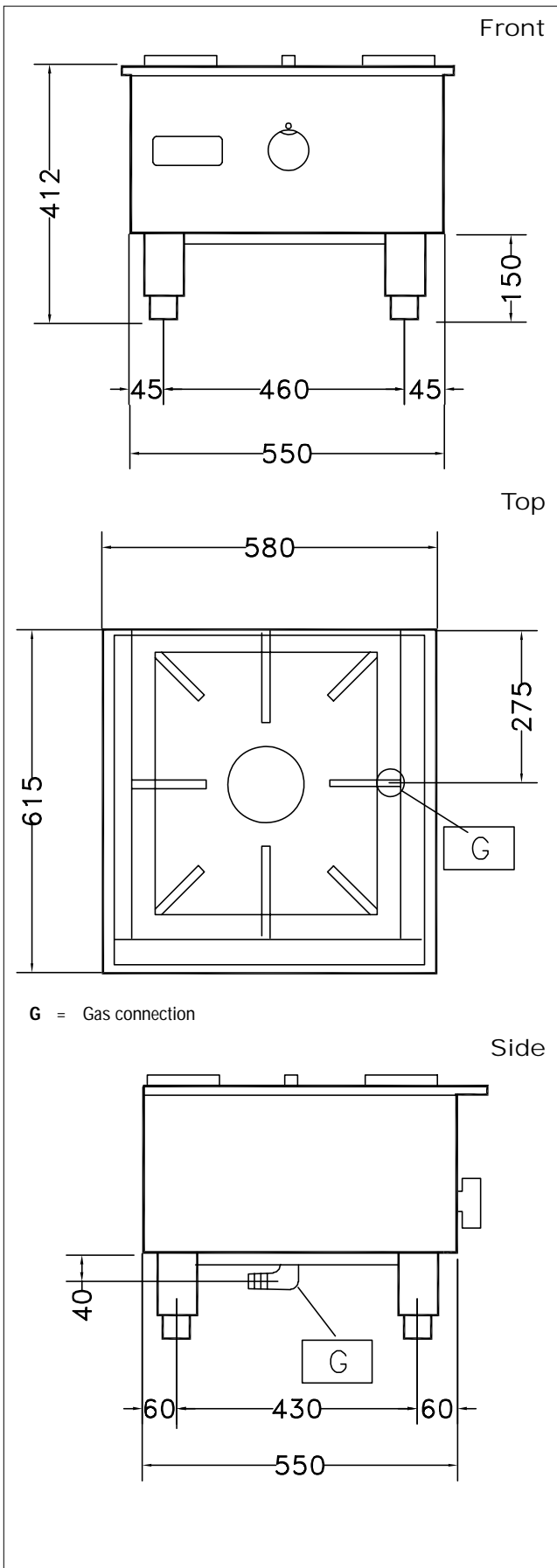


Electrolux

Modular Cooking Range Line Gas Stockpot Stove on Stand with 1 Burner and Thermocouple Valve

Key Information:

| | |
|-------------------------------------|-------------|
| Back Burners Power: | |
| 254106(FPG1D) | 11.5 - 0 kW |
| External dimensions, Height: | 412 mm |
| External dimensions, Width: | 580 mm |
| External dimensions, Depth: | 615 mm |
| Net weight: | 35 kg |
| Height adjustment: | 65/0 mm |
| Back burner dimensions: | Ø 220 mm |



**Modular Cooking Range Line
Gas Stockpot Stove on Stand with 1 Burner and Thermocouple Valve**

The company reserves the right to make modifications to the products without prior notice. All information correct at time of printing.

