



Electrolux

Crosswise Convection Electric Convection Oven, 6 GN1/1

ITEM # _____

MODEL # _____

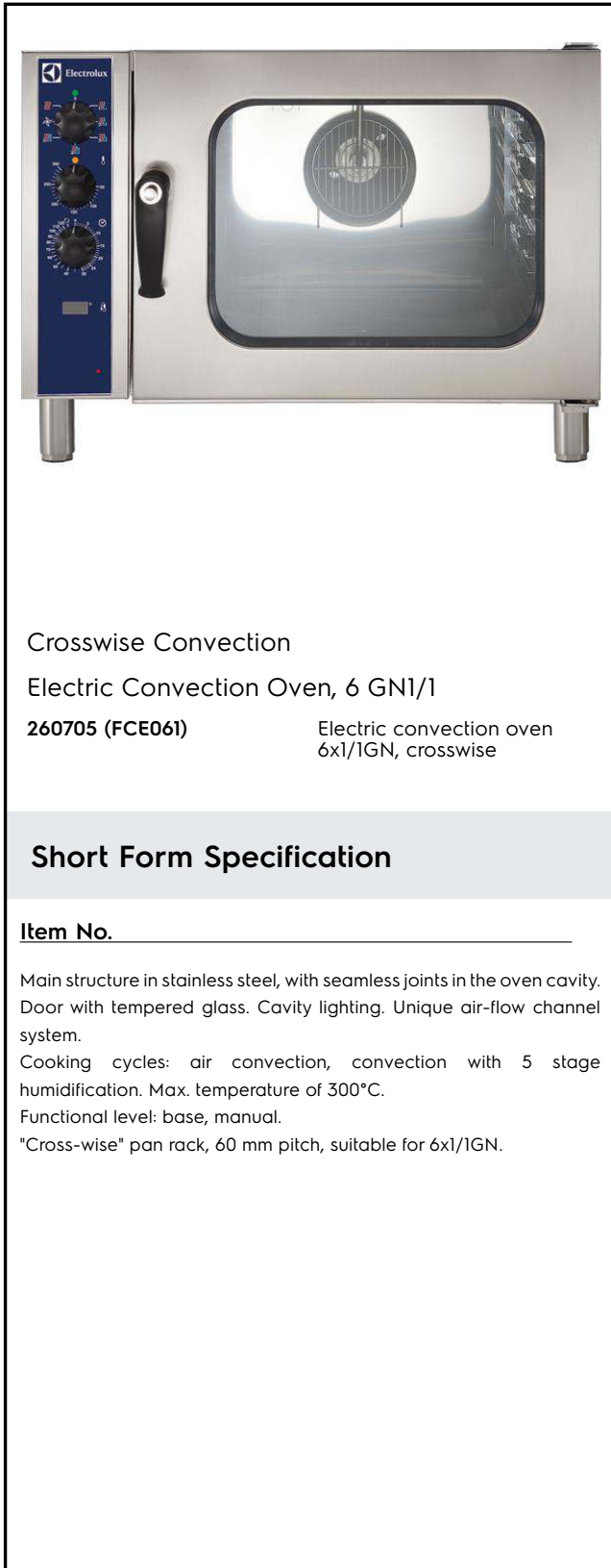
NAME # _____

SIS # _____

AIA # _____



Electrolux



Crosswise Convection

Electric Convection Oven, 6 GN1/1

260705 (FCE061)

Electric convection oven
6x1/1GN, crosswise

Short Form Specification

Item No. _____

Main structure in stainless steel, with seamless joints in the oven cavity. Door with tempered glass. Cavity lighting. Unique air-flow channel system.

Cooking cycles: air convection, convection with 5 stage humidification. Max. temperature of 300°C.

Functional level: base, manual.

"Cross-wise" pan rack, 60 mm pitch, suitable for 6x1/1GN.

Main Features

- IPX4 water resistance certification.
- Racks can be easily removed without the need for special tools.
- Unique air-flow system guarantees perfect distribution of heat throughout the oven cavity.
- Maximum temperature of 300°C.
- Food temperature probe available as accessory.
- Rapid cooling of oven cavity.
- Halogen lighting and "crosswise" pan supports allow clear and unobstructed view of the products being cooked.
- 5 Stage humidification control, to ensure perfect pastries and succulent roasts.
- Meets the requirements of CE, VDE and DVGW for safety.

Construction

- Height adjustable feet.
- Access to all components from the front.
- Stainless steel oven cavity with rounded corners.
- External access door for electrical connections.
- All connections made on the left side below the oven.
- Integrated drain outlet.

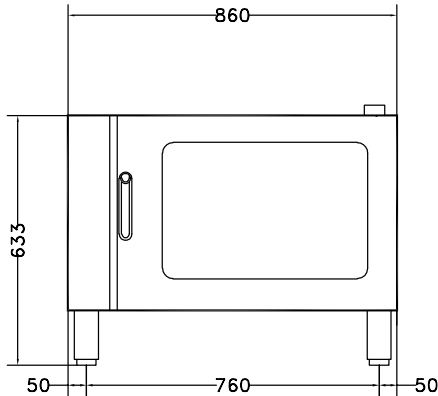
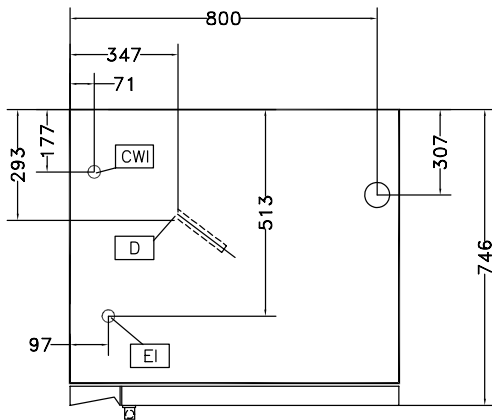
APPROVAL: _____



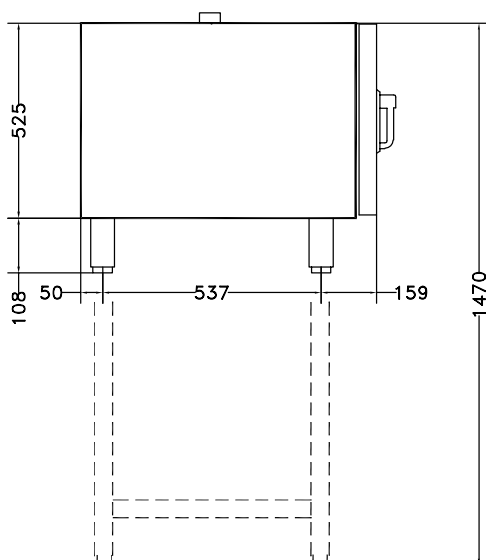
Optional Accessories

- Kit for stacking 6x1/1GN convection oven and 15kg blast chillers and blast chiller&freezers PNC 881528
- Pair of 1/1GN AISI 304 stainless steel grids PNC 921101
- Support for 1/2GN pan (2pcs) PNC 921106
- Automatic water softener for ovens PNC 921305
- Resin sanitizer for water softener PNC 921306
- Probe for ovens 6 and 10x1/1GN PNC 921702
- Guide kit for 1/1GN drain pan PNC 921713
- Couple of grids for whole chicken 1/1GN (8 per grid) PNC 922036
- Base for oven 6x1/1GN PNC 922101
- Shelf guides for 6x1/1GN, ovens base PNC 922105
- Retractable hose reel spray unit PNC 922170
- Side external spray unit (needs to be mounted outside and includes support for mounting to oven) PNC 922171
- Fat filter for 6x1/1GN PNC 922177
- 2 frying baskets for ovens PNC 922239
- Grid for whole chicken 1/1GN (8 per grid - 1,2kg each) PNC 922266
- Kit universal skewer rack and 6 short skewers for Lengthwise and Crosswise ovens PNC 922325
- Universal skewer rack PNC 922326
- Smoker for lengthwise and crosswise ovens - 4 kinds of smoker wood chips are available on request PNC 922338



Front

Top


CWI1 = Cold Water inlet 1
 CWI2 = Cold Water Inlet 2
 D = Drain
 EI = Electrical connection

Side

Electric

Supply voltage:
 260705 (FCE061) 400 V/3N ph/50 Hz
Electrical power: 7.7 kW

Capacity:

Shelf capacity: 6

Key Information:

External dimensions, Height: 633 mm
External dimensions, Width: 860 mm
External dimensions, Depth: 746 mm
Net weight: 79.5 kg
Functional level: Basic
Type of grids: 1/1 Gastronorm
Runners pitch: 60 mm
Cooking cycles - air-convection: 300 °C
Heating-up time (hot air cycle): 215°C / 300s.