



## Crosswise Convection Electric Convection Oven, 10 GN1/1

ITEM # \_\_\_\_\_

MODEL # \_\_\_\_\_

NAME # \_\_\_\_\_

SIS # \_\_\_\_\_

AIA # \_\_\_\_\_



Crosswise Convection  
Electric Convection Oven, 10 GN1/1

**260706 (FCE101)** Electric convection oven  
10x1/1GN, crosswise

### Short Form Specification

**Item No.** \_\_\_\_\_

Main structure in stainless steel, with seamless joints in the oven cavity. Double-glazed door with tempered glass. Cavity lighting. Unique air-flow channel system.

Cooking cycles: air convection, convection with 5 stage humidification. Max. temperature of 300°C.

Functional level: base, manual.

"Cross-wise" pan rack suitable for 10x1/1GN. The pan rack, fixed, can be converted into a roll-in rack by using an optional kit.

Supplied with n. 1 pan rack, 60mm pitch (made up of n. 2 side hangers).

### Main Features

- IPX4 water resistance certification.
- Racks can be easily removed without the need for special tools.
- Unique air-flow system guarantees perfect distribution of heat throughout the oven cavity.
- Maximum temperature of 300°C.
- Food temperature probe available as accessory.
- Rapid cooling of oven cavity.
- Halogen lighting and "crosswise" pan supports allow clear and unobstructed view of the products being cooked.
- 5 Stage humidification control, to ensure perfect pastries and succulent roasts.
- Meets the requirements of CE, VDE and DVGW for safety.

### Construction

- Height adjustable feet.
- Access to all components from the front.
- Stainless steel oven cavity with rounded corners.
- Double-glazed door with tempered glass.
- External access door for electrical connections.
- All connections made on the left side below the oven.
- Integrated drain outlet.

### Included Accessories

- 1 of 60mm pitch side hangers PNC 922121
- 10x1/1GN electric oven (included with the oven)

### Optional Accessories

- Pair of 1/1GN AISI 304 stainless steel grids  PNC 921101
- Support for 1/2GN pan (2pcs)  PNC 921106
- Automatic water softener for ovens  PNC 921305
- Resin sanitizer for water softener  PNC 921306
- Probe for ovens 6 and 10x1/1GN  PNC 921702
- Guide kit for 1/1GN drain pan  PNC 921713
- Couple of grids for whole chicken 1/1GN (8 per grid)  PNC 922036
- Base for oven 10x1/1GN  PNC 922102
- Shelf guides for 10x1/1GN, ovens base  PNC 922106
- Cupboard stand for oven 10x1/1GN  PNC 922109
- Hot cupboard stand for convection oven 10x1/1GN  PNC 922112

APPROVAL: \_\_\_\_\_



# Electrolux

## Crosswise Convection Electric Convection Oven, 10 GN1/1

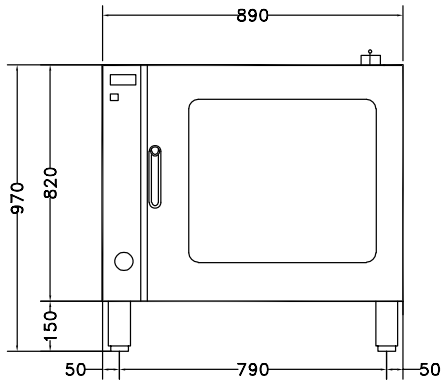
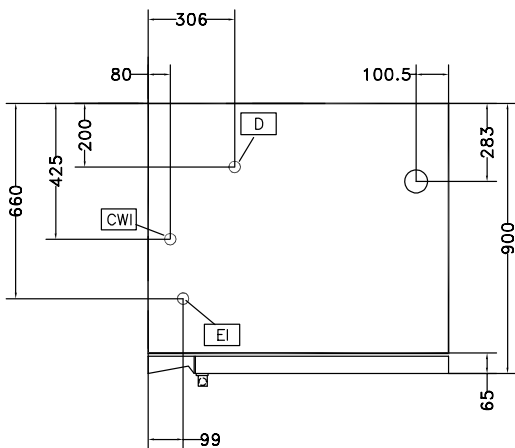
- Base on castors for 10x1/1GN ovens PNC 922114
- 80mm pitch side hangers 10x1/1GN electric oven PNC 922115
- 60mm pitch side hangers 10x1/1GN electric oven (included with the oven) PNC 922121
- Feet for ovens 6x1/1GN, 10x1/1 and 2/1GN PNC 922127
- Trolley for 10x1/1GN roll-in rack PNC 922130
- Retractable hose reel spray unit PNC 922170
- Side external spray unit (needs to be mounted outside and includes support for mounting to oven) PNC 922171
- Fat filter for 10 1/1 and 2/1 GN combi steamers (gas and electric) and convection ovens (electric) PNC 922178
- Kit to convert to 10x1/1GN roll-in rack PNC 922201
- 2 frying baskets for ovens PNC 922239
- Grid for whole chicken 1/1GN (8 per grid - 1,2kg each) PNC 922266
- Kit universal skewer rack and 6 short skewers for Lengthwise and Crosswise ovens PNC 922325
- Universal skewer rack PNC 922326
- Smoker for lengthwise and crosswise ovens - 4 kinds of smoker wood chips are available on request PNC 922338



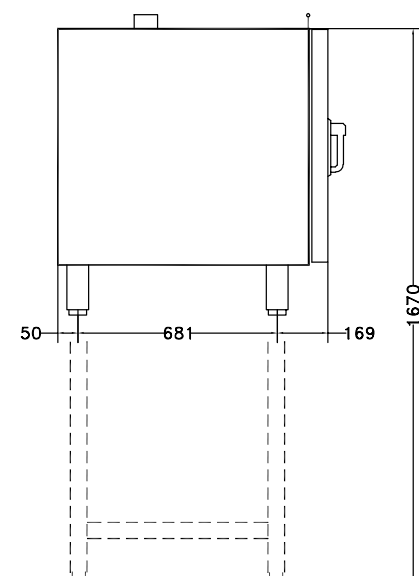
Crosswise Convection  
Electric Convection Oven, 10 GN1/1

The company reserves the right to make modifications to the products without prior notice. All information correct at time of printing.

2016.02.24

**Front**

**Top**


CWI1 = Cold Water inlet 1  
 CWI2 = Cold Water Inlet 2  
 D = Drain  
 EI = Electrical connection

**Side**


### Electric

Supply voltage:	
260706 (FCE101)	400 V/3N ph/50 Hz
Auxiliary:	0.3 kW
Electrical power:	17.3 kW

### Capacity:

Shelf capacity:	10
-----------------	----

### Key Information:

External dimensions, Height:	970 mm
External dimensions, Width:	890 mm
External dimensions, Depth:	900 mm
Net weight:	121.2 kg
Functional level:	Basic
Type of grids:	1/1 Gastronorm
Runners pitch:	60 mm
Cooking cycles - air-convection:	300 °C
Internal dimensions, width:	590 mm
Internal dimensions, depth:	503 mm
Internal dimensions, height:	680 mm

**Included Accessories**

- 1 of 60mm pitch side hangers 10x1/1GN electric oven (included with the oven) PNC 922121

**Optional Accessories**

- Pair of 1/1GN AISI 304 stainless steel grids PNC 921101
- Support for 1/2GN pan (2pcs) PNC 921106
- Automatic water softener for ovens PNC 921305
- Resin sanitizer for water softener PNC 921306
- Probe for ovens 6 and 10x1/1GN PNC 921702
- Guide kit for 1/1GN drain pan PNC 921713
- Couple of grids for whole chicken 1/1GN (8 per grid) PNC 922036
- Base for oven 10x1/1GN PNC 922102
- Shelf guides for 10x1/1GN, ovens base PNC 922106
- Cupboard stand for oven 10x1/1GN PNC 922109
- Hot cupboard stand for convection oven 10x1/1GN PNC 922112
- Base on castors for 10x1/1GN ovens PNC 922114
- 80mm pitch side hangers 10x1/1GN electric oven PNC 922115
- 60mm pitch side hangers 10x1/1GN electric oven (included with the oven) PNC 922121
- Feet for ovens 6x1/1GN, 10x1/1 and 2/1GN PNC 922127
- Trolley for 10x1/1GN roll-in rack PNC 922130
- Retractable hose reel spray unit PNC 922170
- Side external spray unit (needs to be mounted outside and includes support for mounting to oven) PNC 922171
- Fat filter for 10 1/1 and 2/1 GN combi steamers (gas and electric) and convection ovens (electric) PNC 922178
- Kit to convert to 10x1/1GN roll-in rack PNC 922201
- 2 frying baskets for ovens PNC 922239
- Grid for whole chicken 1/1GN (8 per grid - 1,2kg each) PNC 922266
- Kit universal skewer rack and 6 short skewers for Lengthwise and Crosswise ovens PNC 922325
- Universal skewer rack PNC 922326

- Smoker for lengthwise and crosswise ovens - 4 kinds of smoker wood chips are available on request PNC 922338